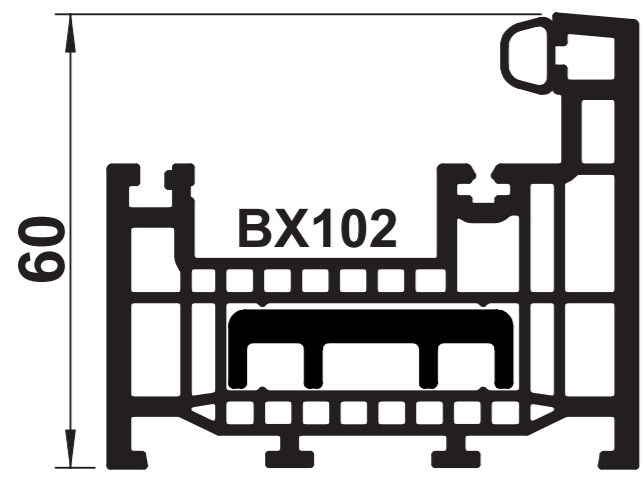


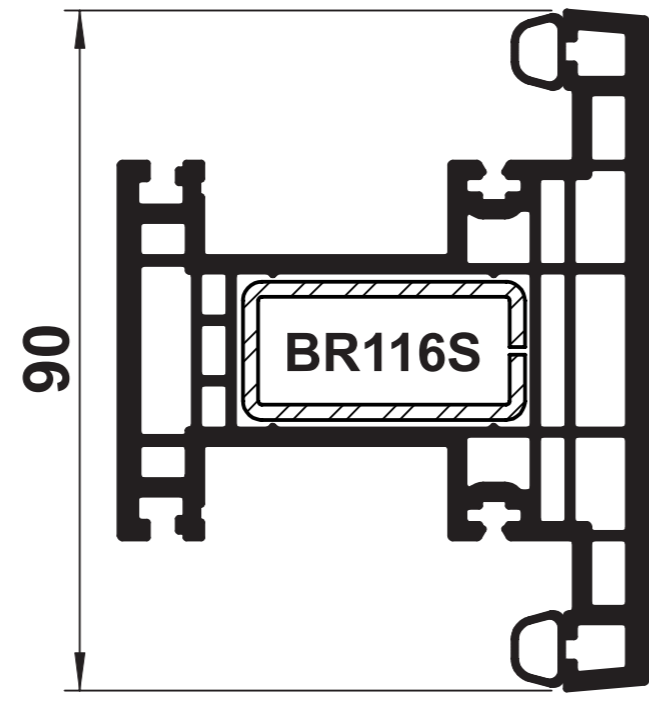
# Fully Reversible



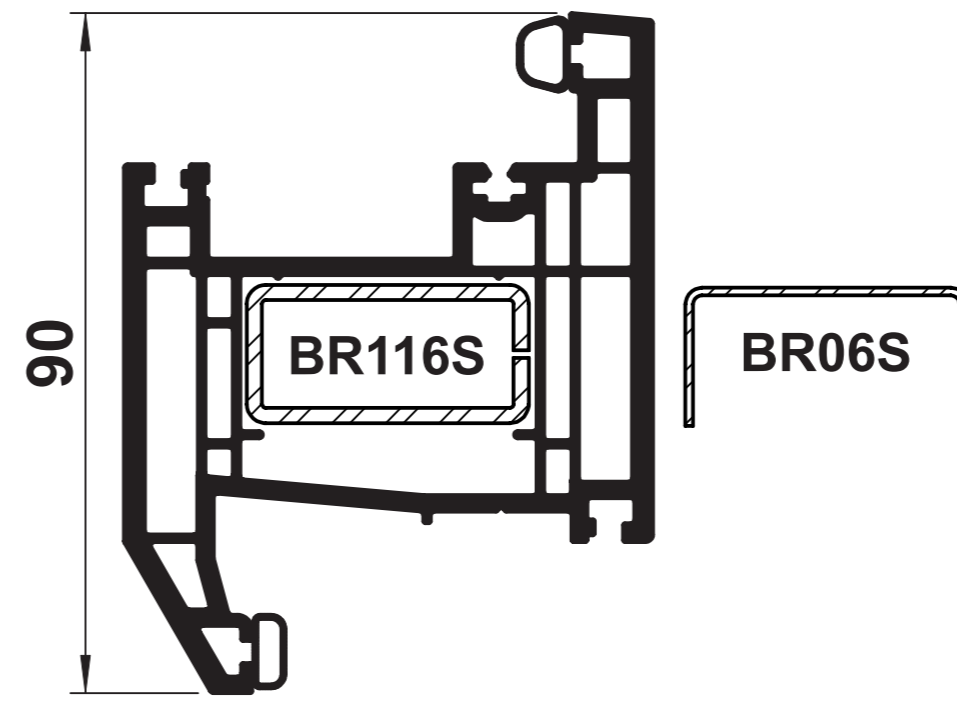
## MAIN PROFILES & REINFORCEMENTS



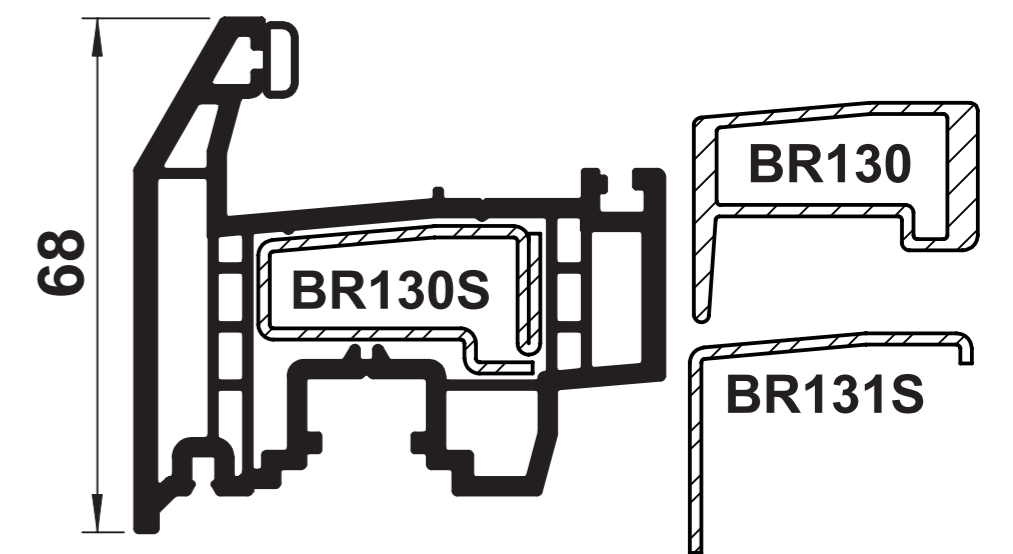
**B102**  
REVERSIBLE  
OUTER FRAME



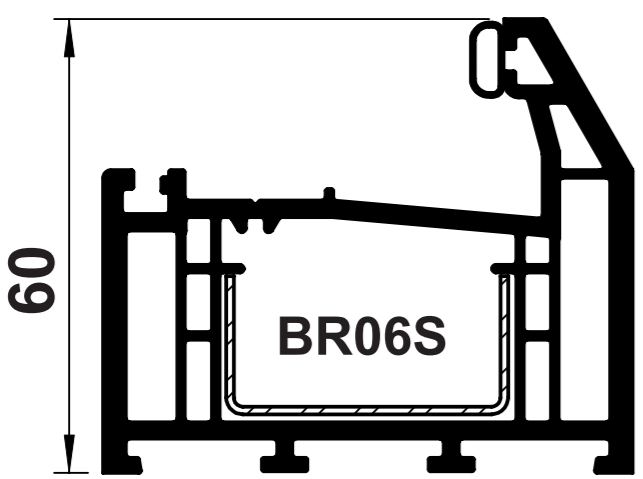
**B116**  
REVERSIBLE  
'T' TRANSOM/MULLION



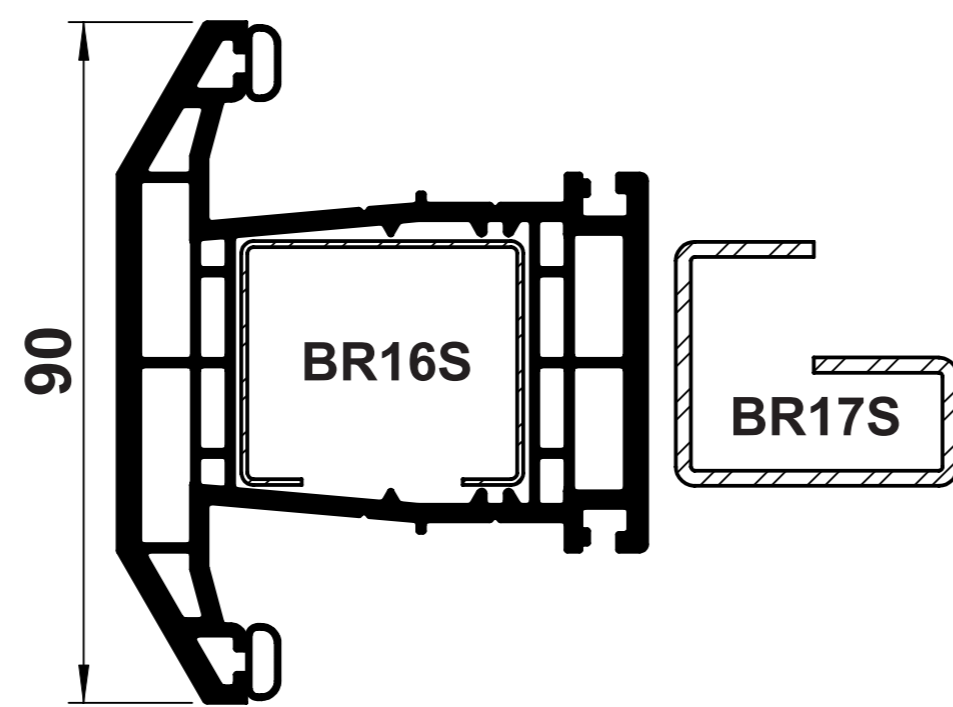
**B117**  
REVERSIBLE  
'Z' TRANSOM/MULLION



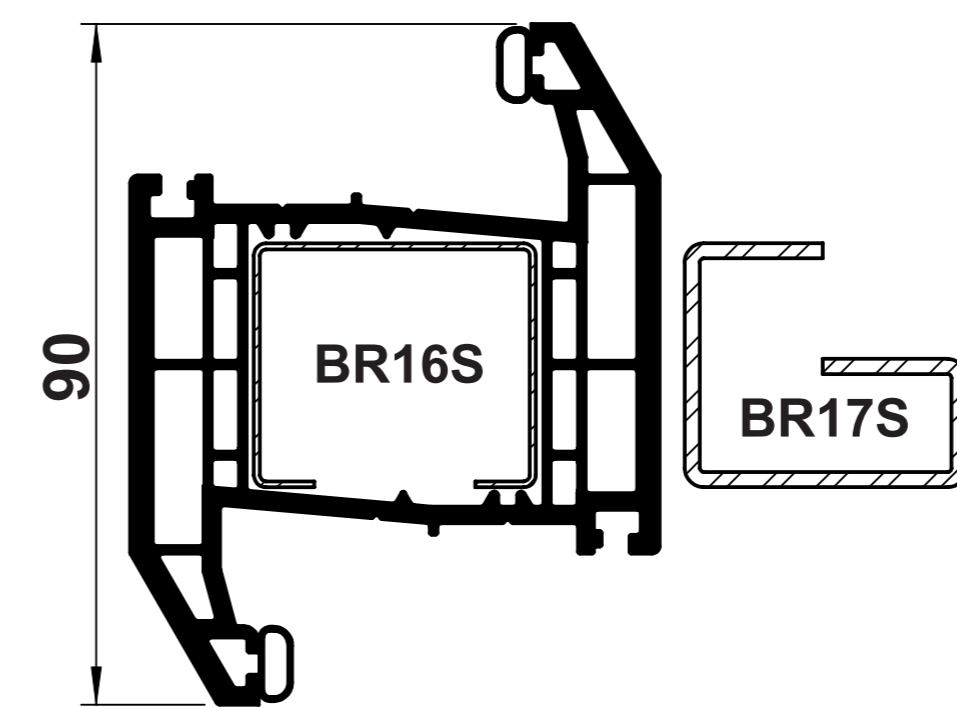
**B130**  
REVERSIBLE  
SASH



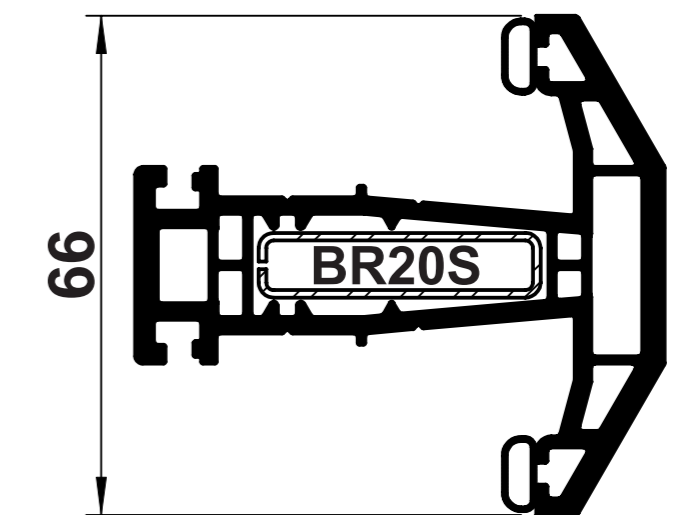
**B02**  
GLAZED  
OUTER FRAME



**B16**  
GLAZED  
'T' TRANSOM/MULLION

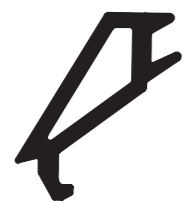


**B17**  
GLAZED  
'Z' TRANSOM/MULLION



**B10**  
DUMMY  
TRANSOM

## GLAZING BEADS



**B50**  
28mm BEAD



**B55**  
40mm BEAD



**B60**  
28mm BEAD



**B61**  
24mm BEAD

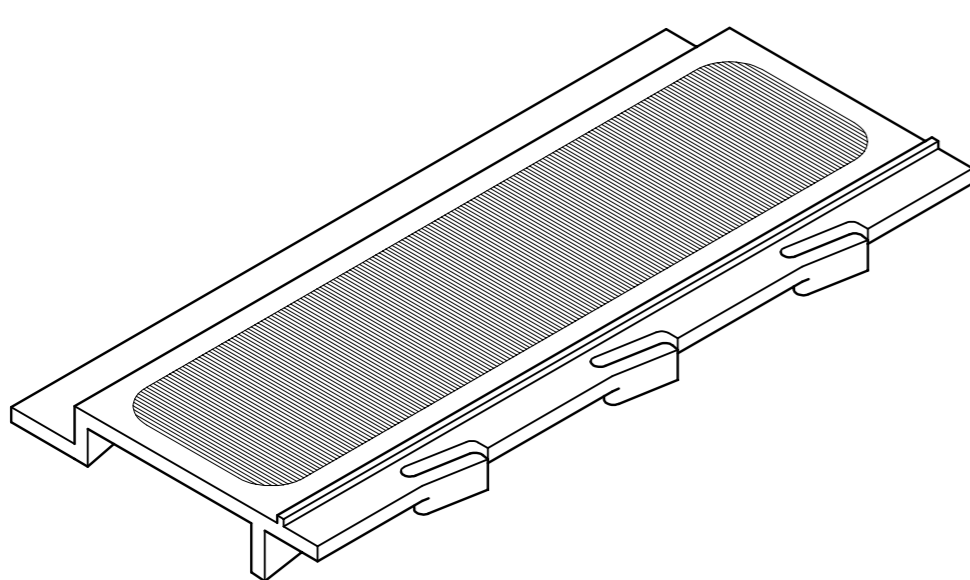


**B62**  
28mm BEAD

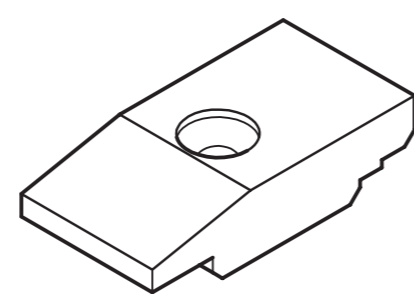


**B66**  
44mm BEAD

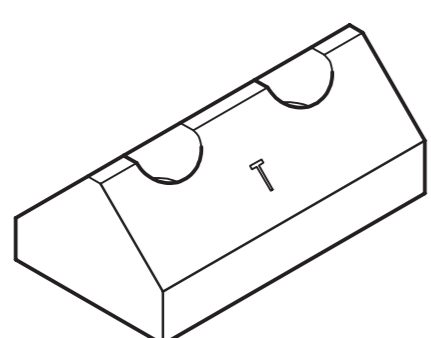
## ANCILLARIES



**BM03**  
GLAZING PLATFORM



**BM20**  
RISER BLOCK



**350730**  
CAVITY  
LOCKING BLOCK



**B93**  
REVERSIBLE  
HEAD DRIP

## GASKETS & WEATHERSEALS



**133700**  
BUBBLE  
REPAIR GASKET



**107461/T**  
BUBBLE  
REPAIR WEATHERSEAL



**700616**  
FRINGE  
SEAL



**TB01**  
THERMAL  
BARRIER