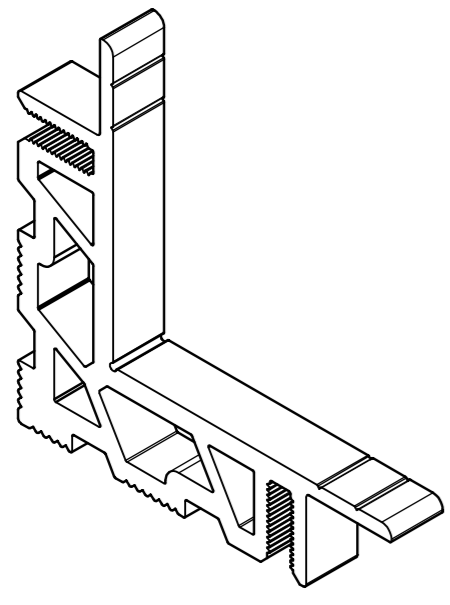
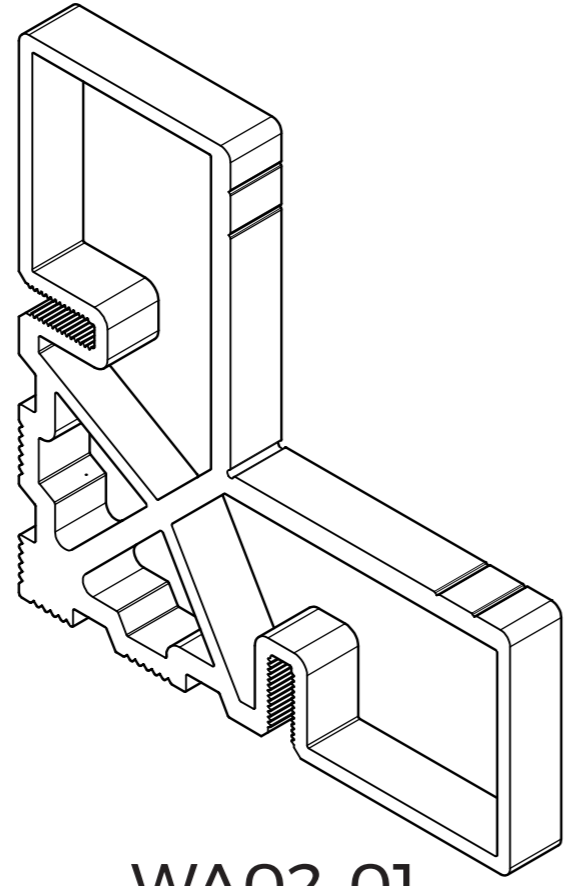


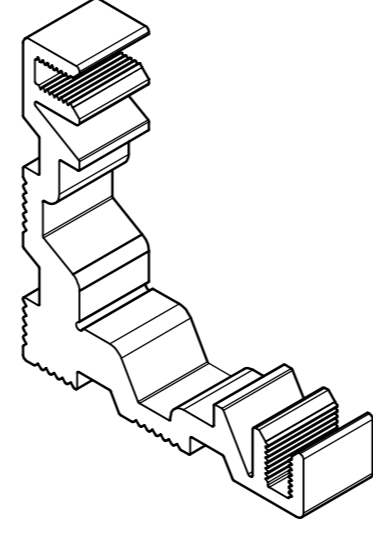
ANCILLARIES



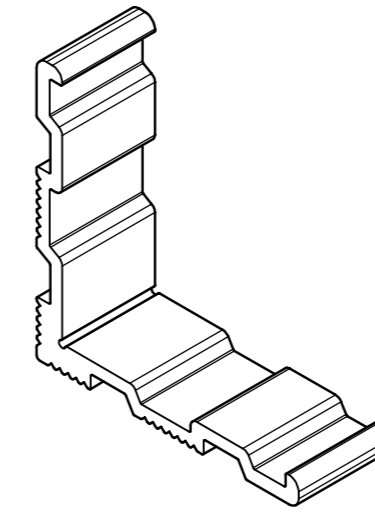
WA01-01
SLIM OUTER
CORNER CLEAT



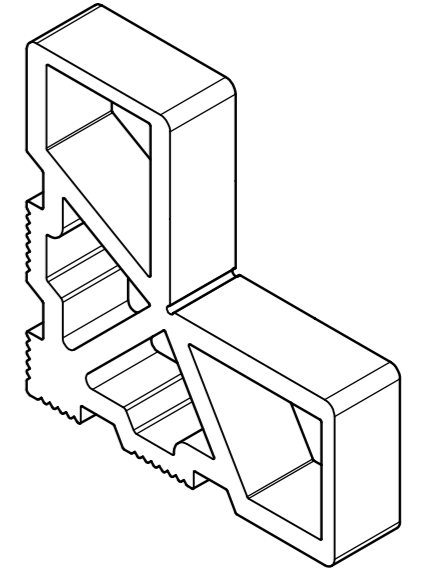
WA02-01
MEDIUM OUTER
CORNER CLEAT



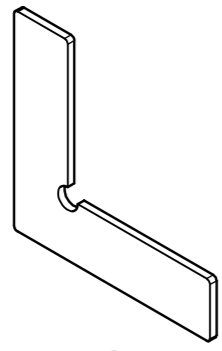
WA04-01
FLUSH SASH OUTER
CORNER CLEAT



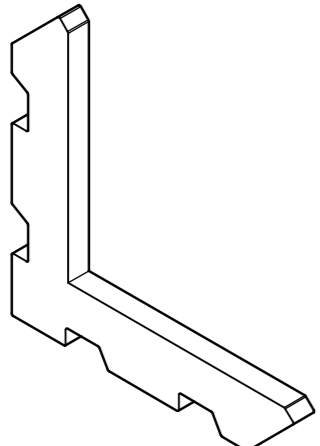
WA05-01
FULLY FLUSH SASH
INNER CORNER CLEAT



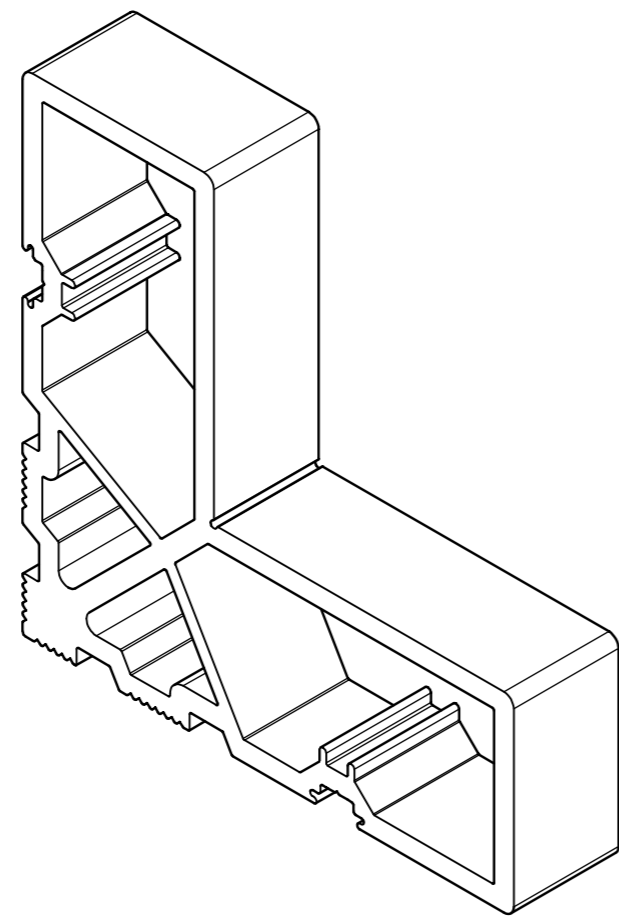
WA06-01
FULLY FLUSH SASH
OUTER CORNER CLEAT



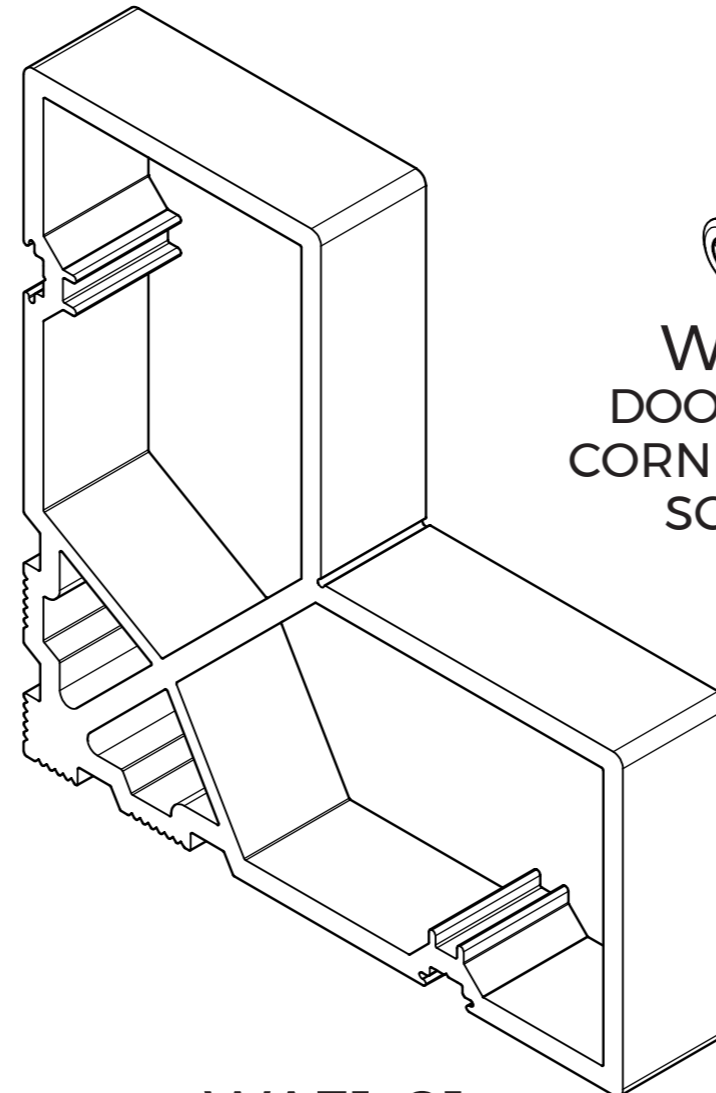
DA05
CORNER CHEVRON



WA20
FLUSH SASH
INNER CORNER CLEAT



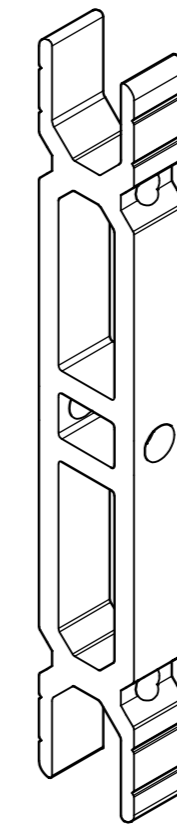
WA30-01
DOOR SASH CLEAT 1



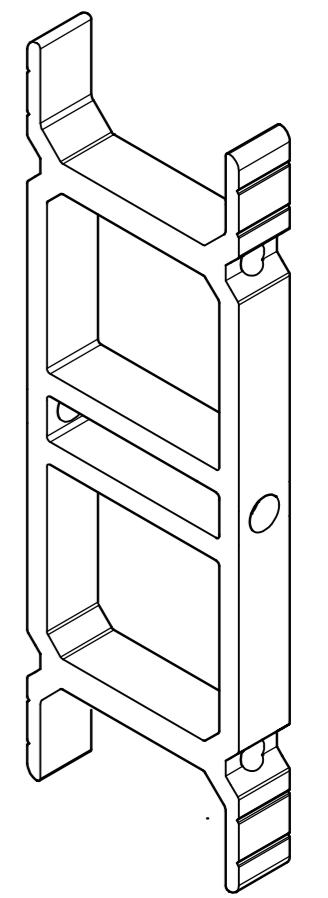
WA31-01
DOOR SASH CLEAT 2



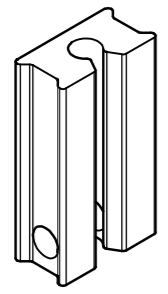
WA35
DOOR SASH
CORNER CLEAT
SCREW



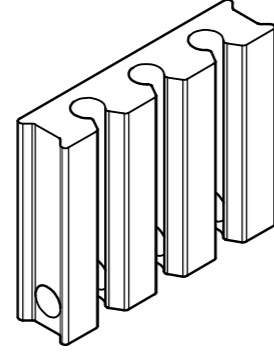
WA07-01
SLIM REVERSE BUTT
JOINT BRACKET



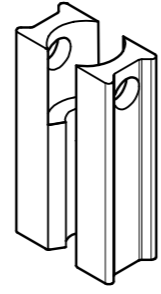
WA08-01
MEDIUM REVERSE
BUTT JOINT BRACKET



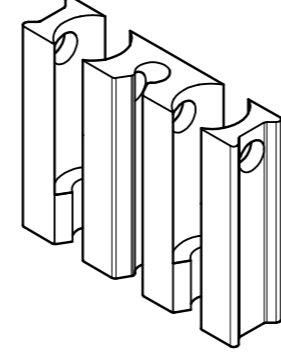
WA10-01
SLIM MULLION
BRACKET



WA11-01
WIDE MULLION
BRACKET



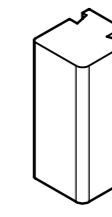
WA12-01
SLIM T MULLION
BRACKET



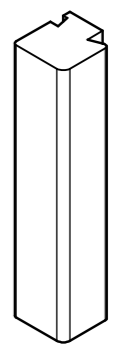
WA13-01
WIDE T MULLION
BRACKET



WA21
CRUCIFORM
BRACKET



WA22
SLIM MULLION
END PLUG



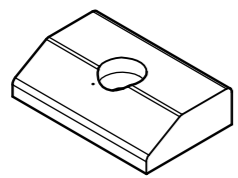
WA23
WIDE MULLION
END PLUG



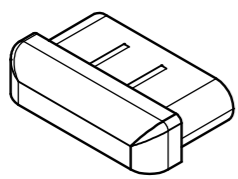
WA10A
SLIM MULLION
BRACKET
EXTRUSION



WA11A
WIDE MULLION
BRACKET
EXTRUSION



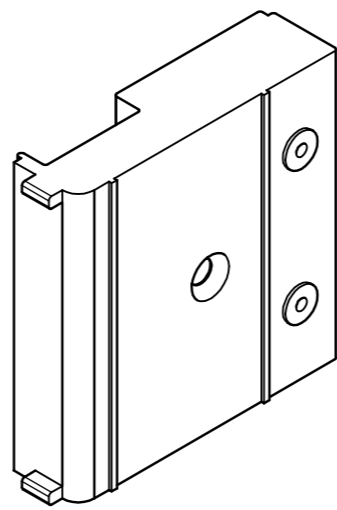
WM01
RUN UP BLOCK



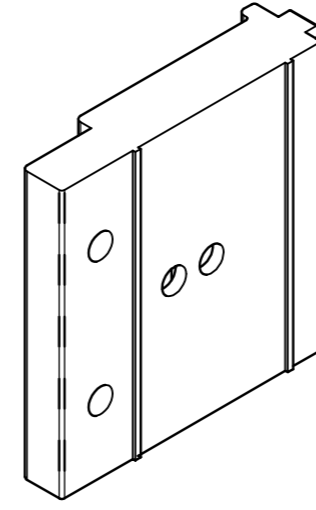
WM02
DRAIN SLOT
COVER CAP



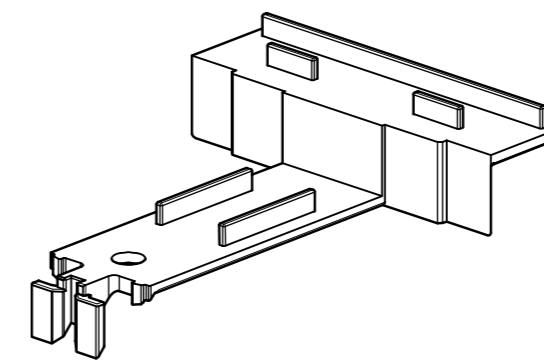
QM04
GLAZING
BRIDGE



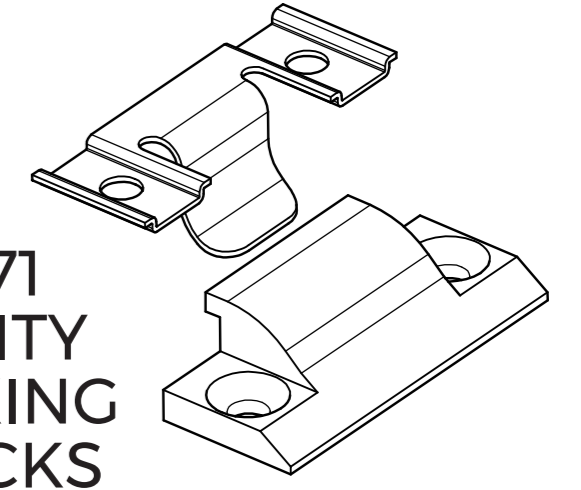
WM11
DUMMY
MULLION
SPACER
(WINDOW)



WM12
DUMMY
MULLION
SPACER
(DOOR)



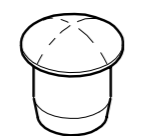
WQM10
DUMMY
MULLION
END CAP



4271
CAVITY
LOCKING
BLOCKS



A80
INFILL



2639
HOLE PLUG
8.3mm



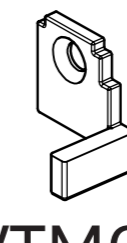
2636
HOLE PLUG
10mm



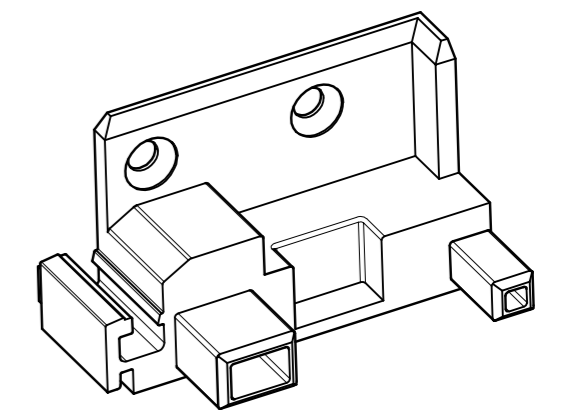
WT03
LOW THRESHOLD
RAMP



WT04
LOW THRESHOLD
BOTTOM RAIL
ADAPTOR



WTM04
LOW THRESHOLD
BOTTOM RAIL
ADAPTOR END CAP



WTM01
LOW THRESHOLD
END MOULDING

FIXINGS



F7651008
M4 x 8



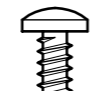
F7690013
No.6 x 13



F7715013
No.8 x 12



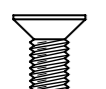
F7766013
No.10 x 12



F7756038
No.8 x 38



F7801025
4.3 x 25



F7680012
M5 x 12



F7690019
No.6 x 19



F7715019
No.8 x 19



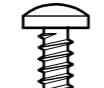
F7715010
No.8 x 10



F7756025
No.8 x 25



F7756045
No.8 x 45



F7756050
No.8 x 50



F7756064
No.8 x 64

GASKETS



WG01
OUTER
FLIPPER
SEAL



WG02
WEATHERSEAL/
GASKET



WG03
RETAINED
GASKET



WG10
SEALING GASKET



WTG01
LOW THRESHOLD
SEAL