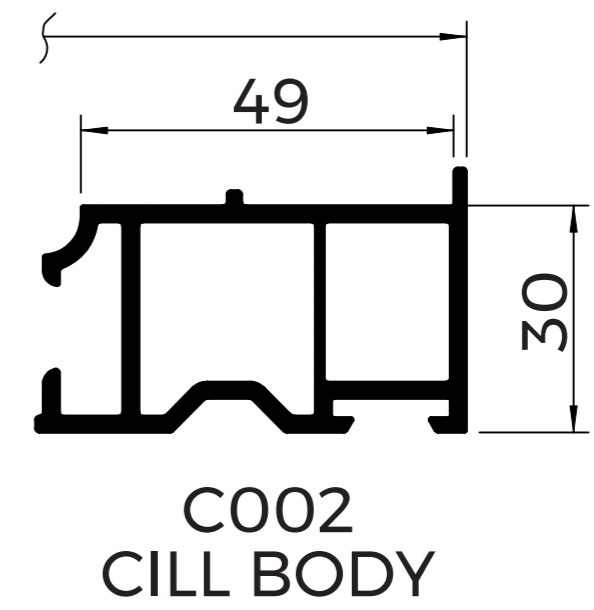
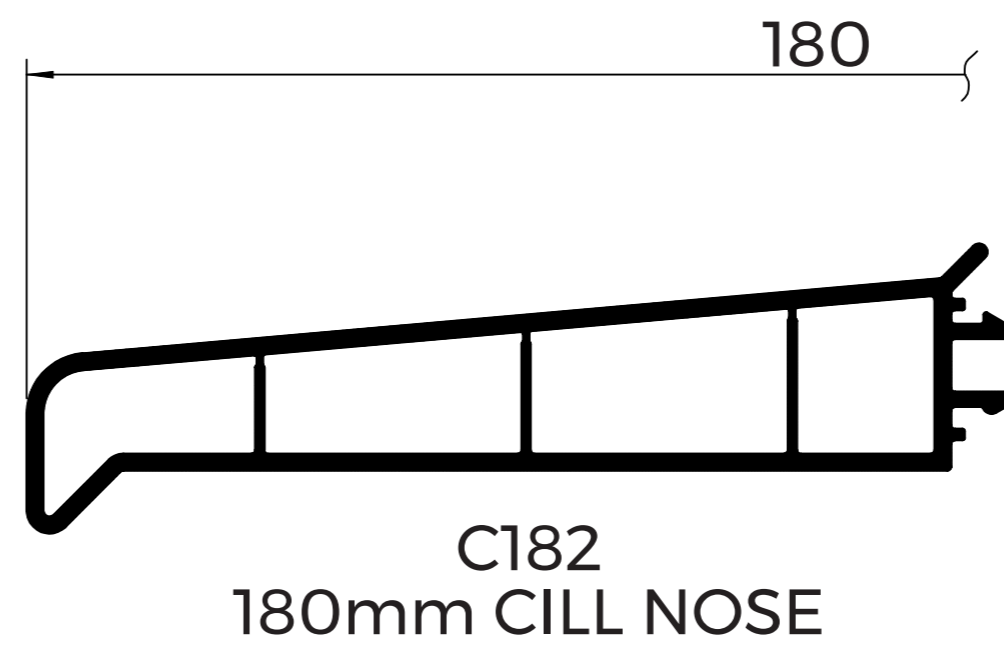
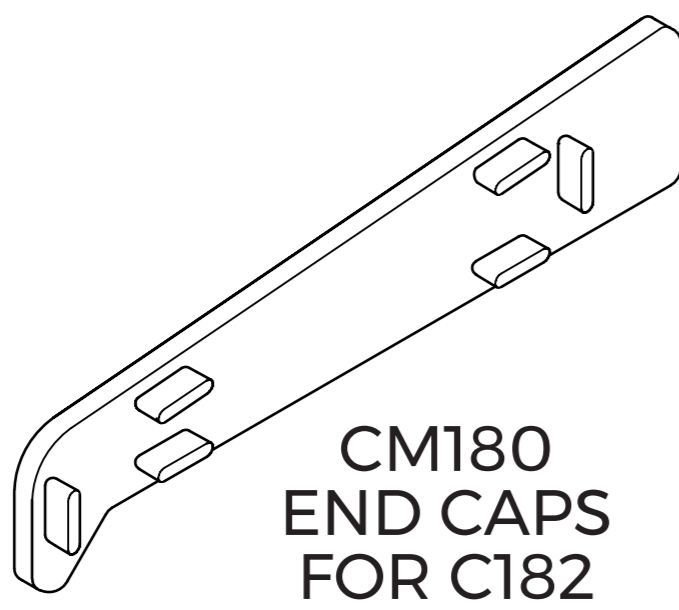
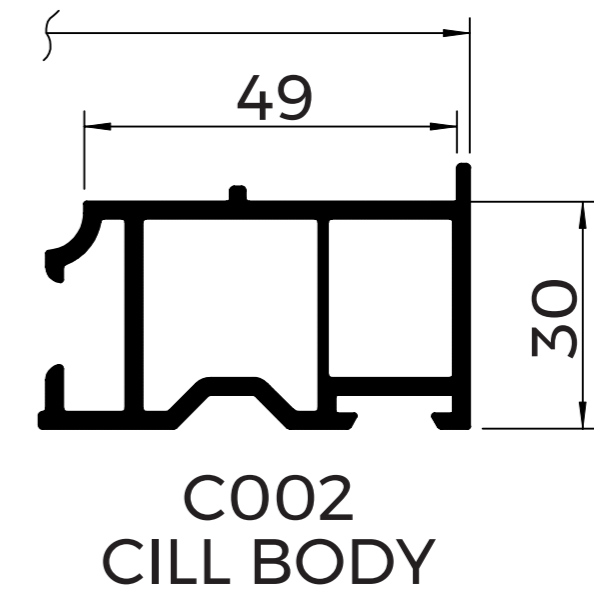
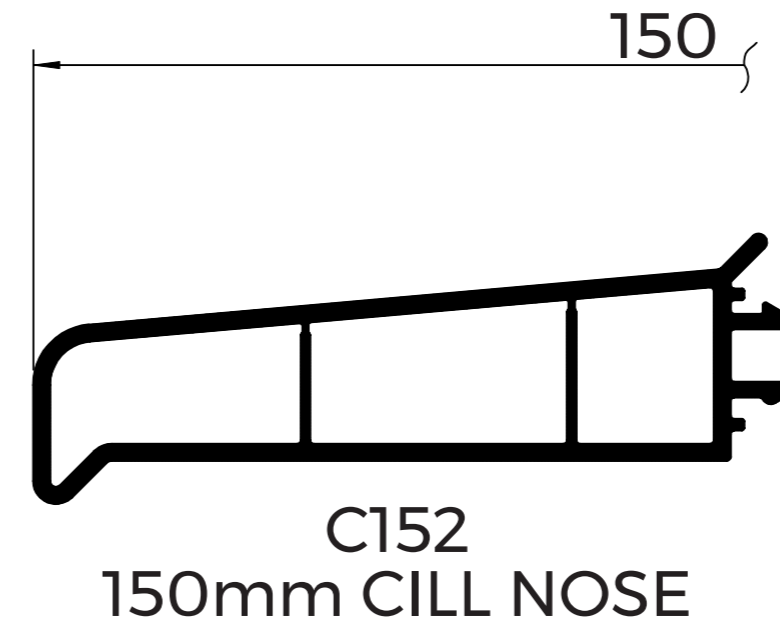
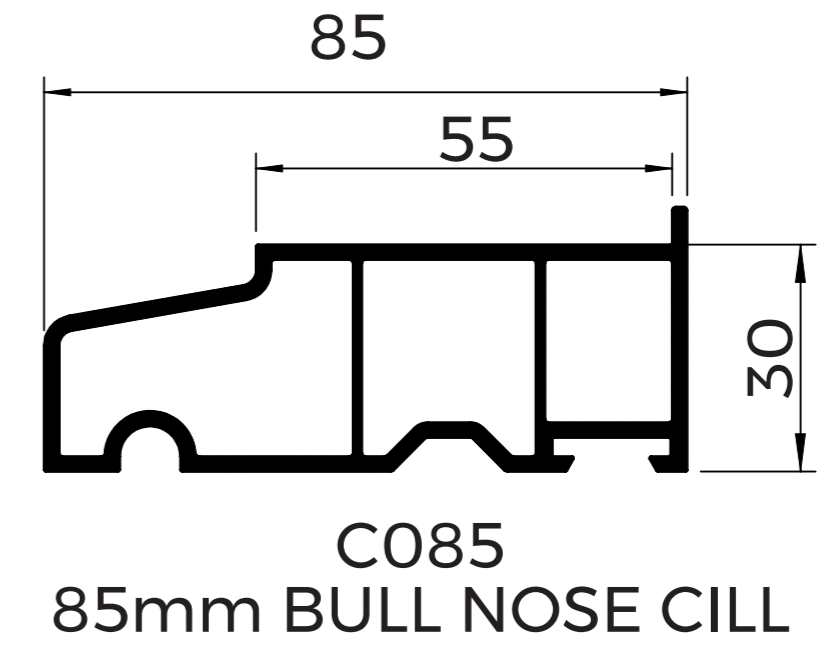
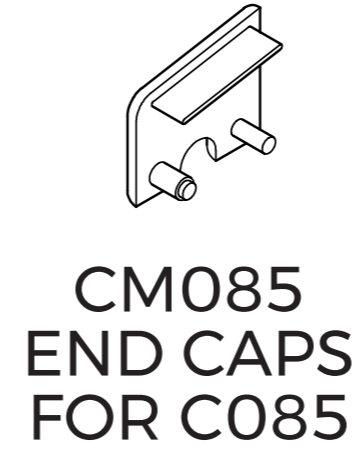
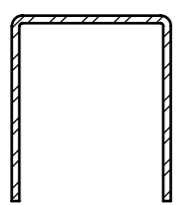


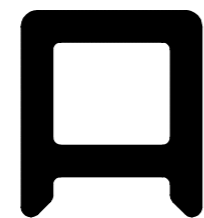
CILLS & END CAPS



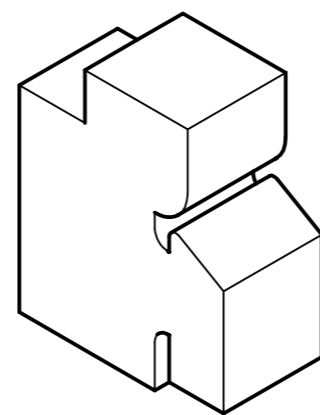
ANCILLARIES



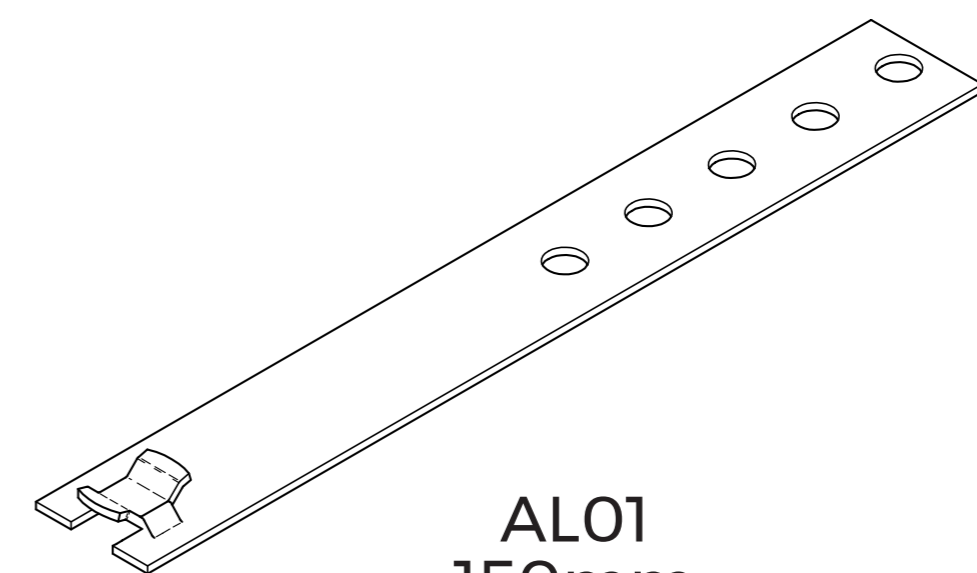
CR01S STEEL



CX01 RCM



CF002
CHECK REVEAL
FOAM SEAL



AL01
150mm
FIXING LUG