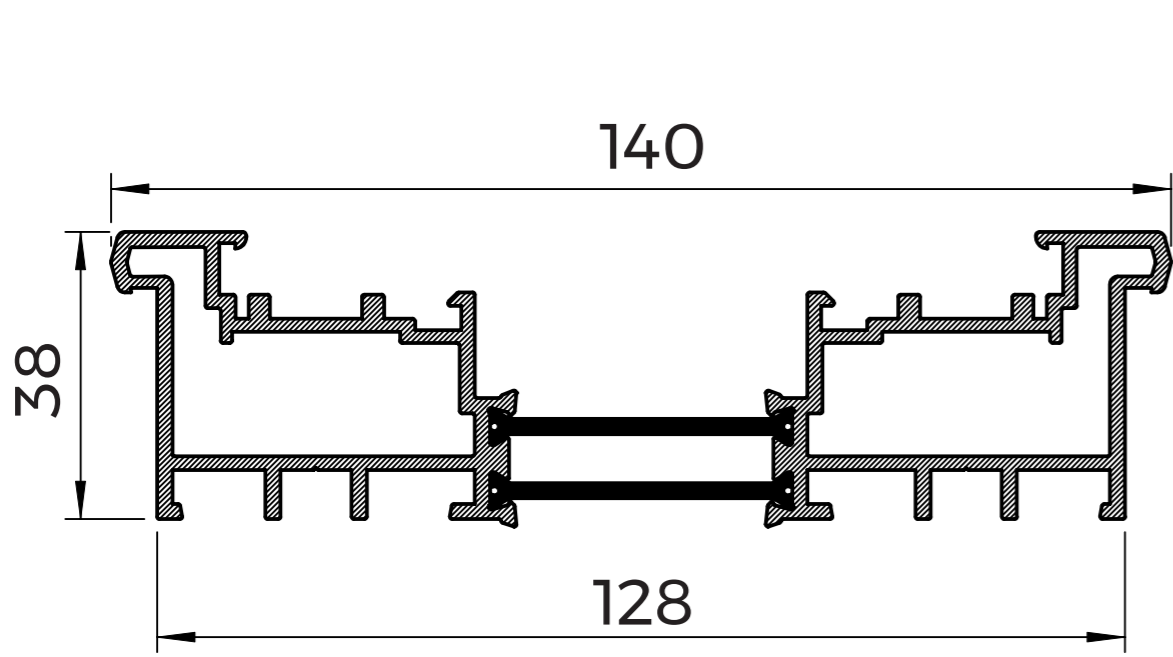
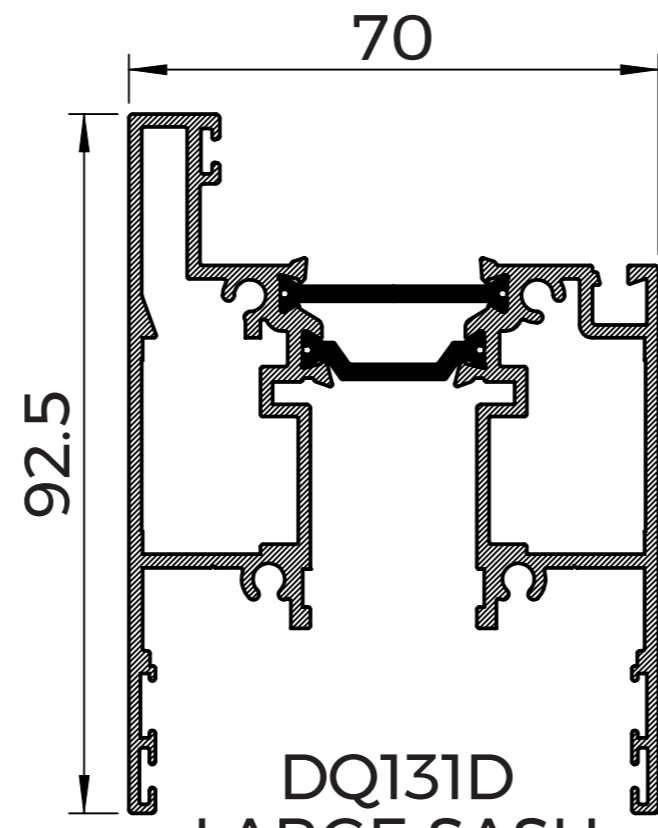


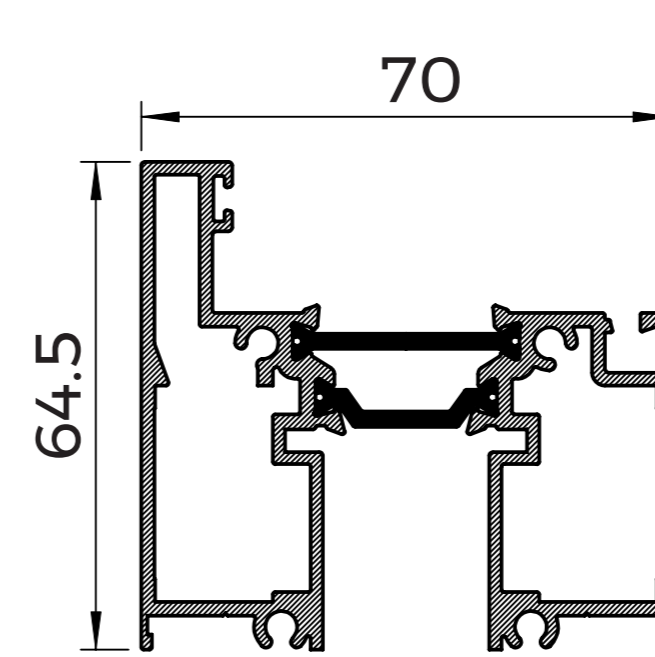
MAIN PROFILES



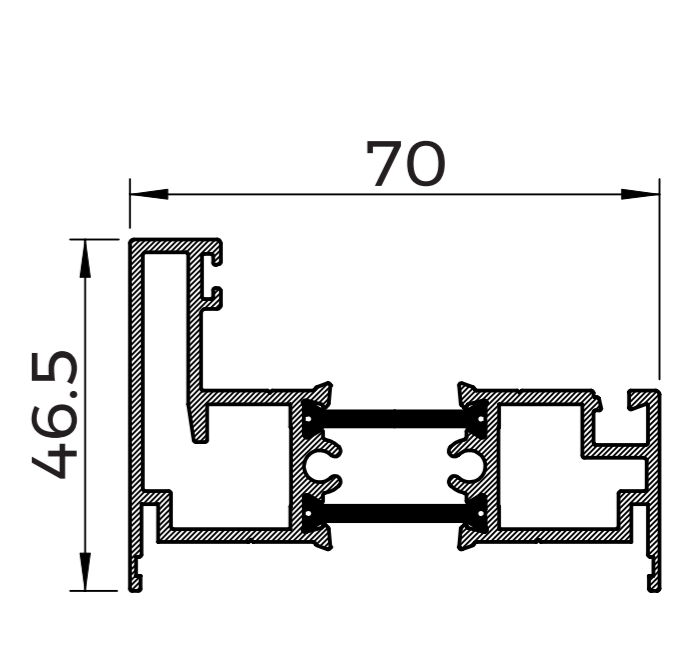
D101
OUTER FRAME



DQ131D
LARGE SASH

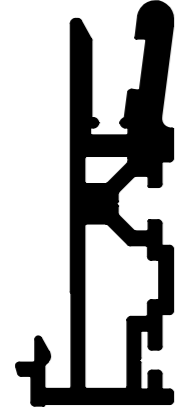


DQ134D
MEDIUM SASH

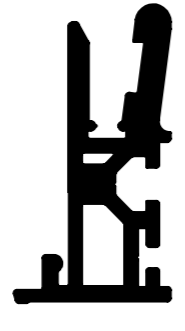


DQ137D
SLIM SASH

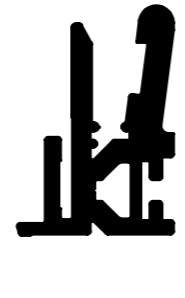
ANCILLARY PROFILES



D170
LARGE
INTERLOCK



D171
MEDIUM
INTERLOCK



D172
SLIM
INTERLOCK



D173
LARGE SASH
INTERLOCK COVER



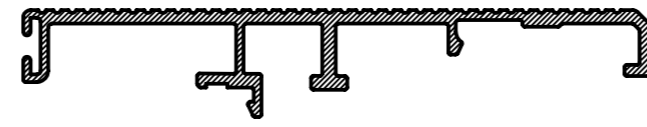
D174
MEDIUM & SLIM SASH
INTERLOCK COVER



D175
FRAME GASKET
SADDLE



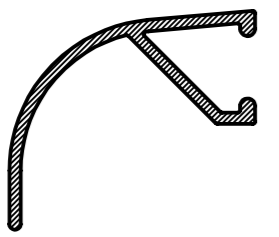
D176
FRAME GASKET
INFILL



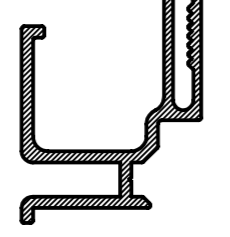
D177
THRESHOLD COVER



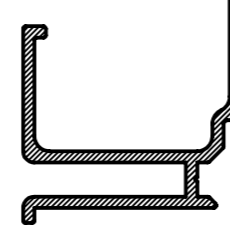
D179
35mm FRAME
PACKER



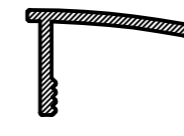
D180
HEAD DRIP



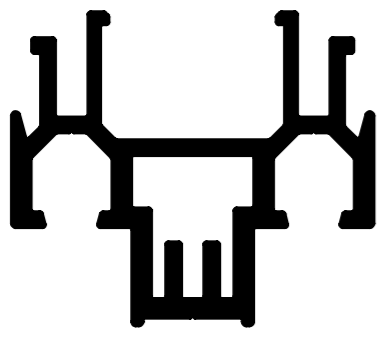
D181
FFL STOP PROFILE
STANDARD



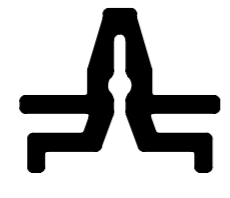
D182
FFL STOP PROFILE
BI-PARTING



D183
FFL END
COVER



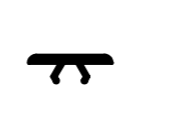
D185
BI-PARTING
INFILL



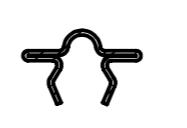
D186
RATTLE
STOP



1254
INFILL

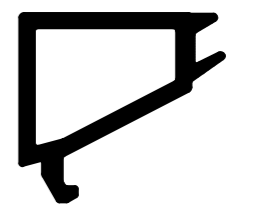


VS15
GASKET
INFILL

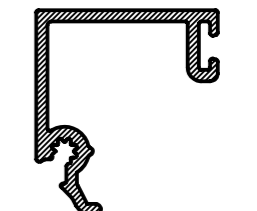


1261
ST. STEEL
TRACK

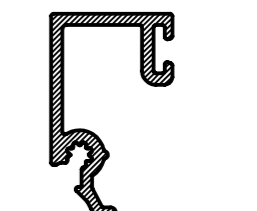
GLAZING BEADS



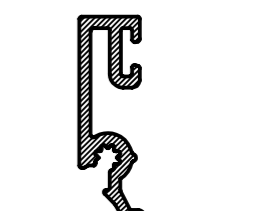
B150
28mm BEAD



DQ150D
28mm BEAD

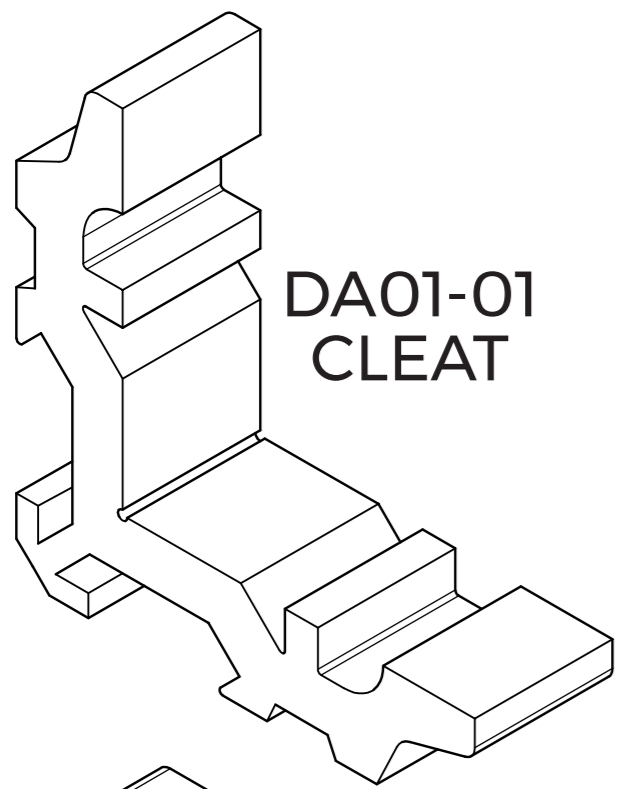


DQ154D
36mm BEAD

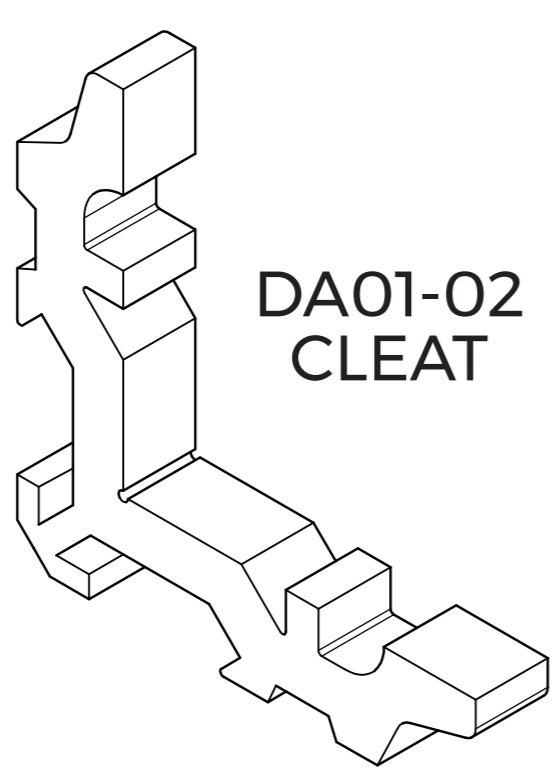


DQ156D
44mm BEAD

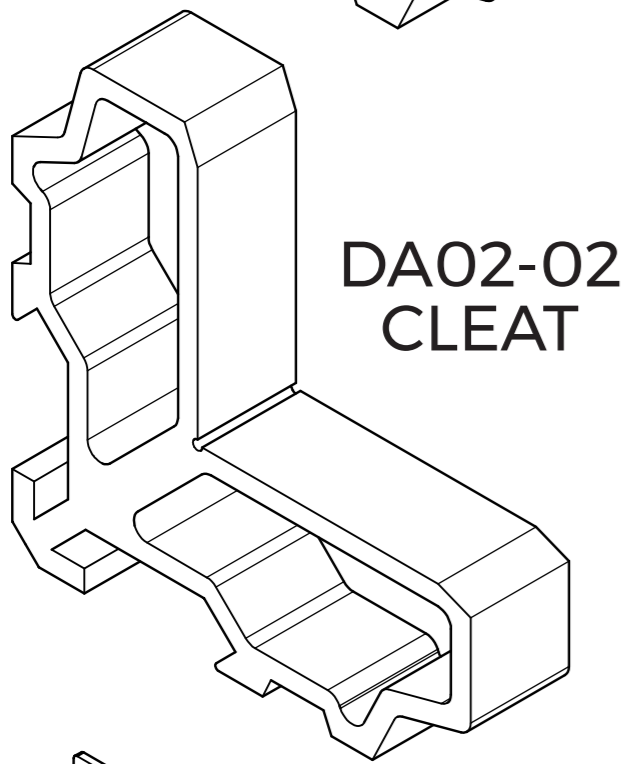
ANCILLARIES



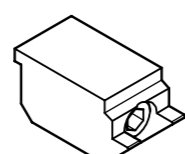
DA01-01
CLEAT



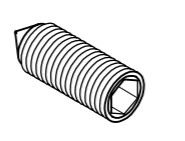
DA01-02
CLEAT



DA02-02
CLEAT



DA03
CLEAT CLAMP
BLOCK

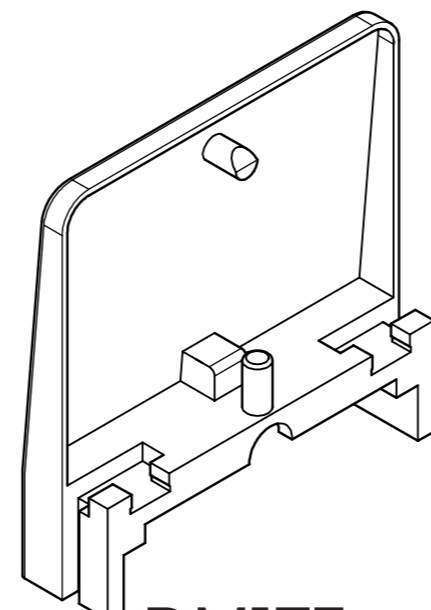


DA04
M6 x 16mm
GRUB SCREW



DA05
CHEVRON

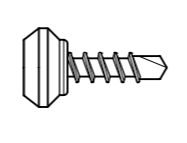
DA101
PLATE ROLLER
CARRIER



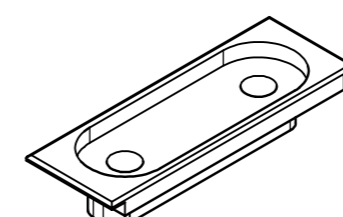
DM173
INTERLOCK CAP



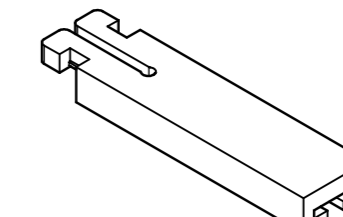
6586
BACKING
PLATE



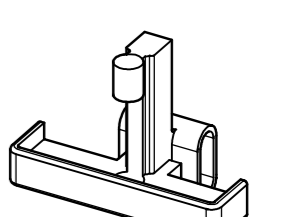
DA106
DRIP BAR
FIXING SCREW



DM101
LOCK KEEP
BOOT



DM174
INTERLOCK CAP
GASKET EXTENSION



DM184
BI-PARTING
ADAPTOR
END CAP



DA103
INTERLOCK CAP
SPRING SCREW



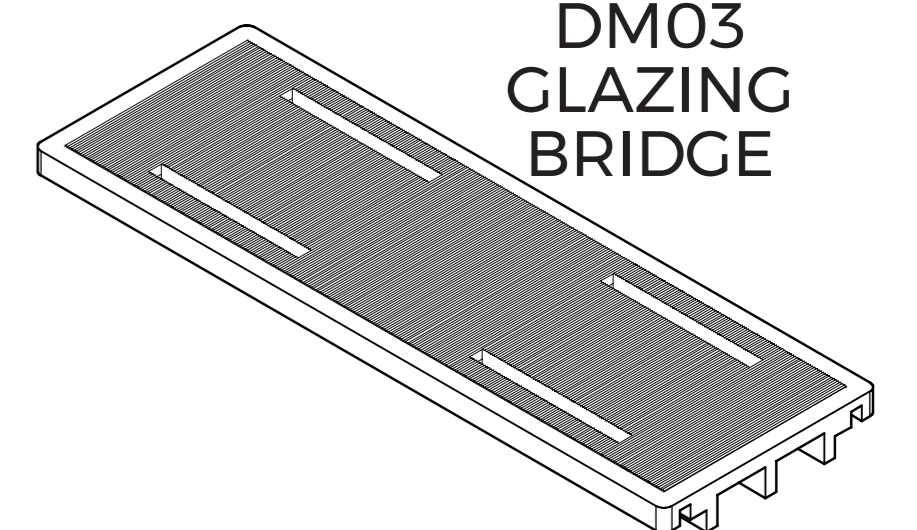
DA104
INTERLOCK CAP
SPRING NUT



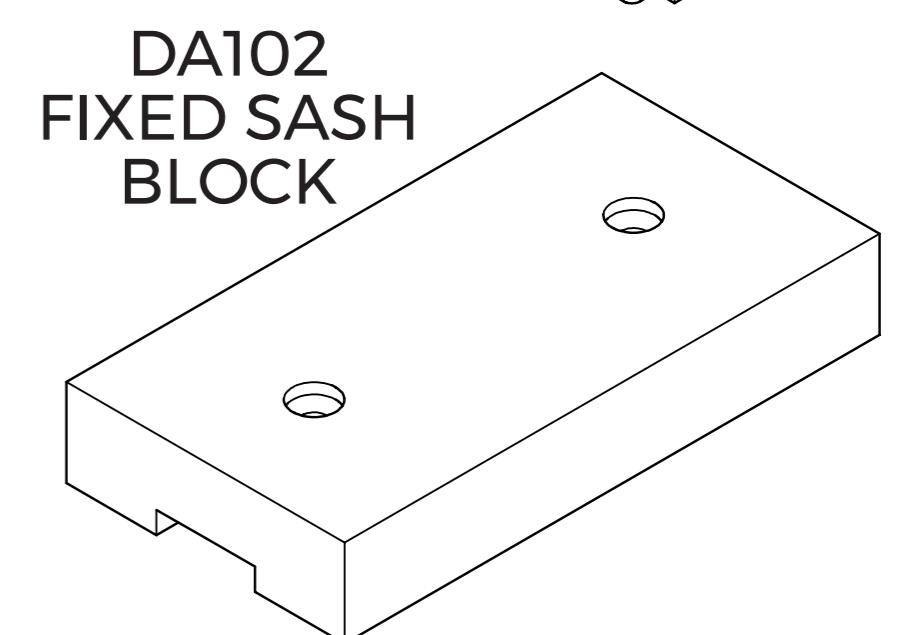
DA105
INTERLOCK CAP
SPRING WASHER



DA173
INTERLOCK CAP
SPRING



DM03
GLAZING
BRIDGE



DA102
FIXED SASH
BLOCK

GASKETS



DG101
INTERLOCK
GASKET



DG102
SASH GASKET



1850
FRAME CLOSING
GASKET



DG02
GLAZING
GASKET



DG03
GLAZING
GASKET



DG04
GLAZING
GASKET



WG02
GLAZING
GASKET



WG03
RETAINED
GASKET